

ACM-8R

Relay Module



Annunciator Control Systems

General

The ACM-8R is a module in the Notifier ACS class of annunciators. It provides a mappable relay output module for NFS(2)-3030, NFS(2)-640, and NFS-320 Fire Alarm Control Panels, and for NCA-2 Network Control Annunciators.

Features

- Provides eight Form-C relays with 5 A contacts.
- The relays can be employed to track a variety of devices and panel points, in a grouped fashion.
- Removable terminal blocks for ease of installation and service.
- DIP switch selectable memory mapping of relays.

NOTE: The ACM-8R can also be used with legacy panels. Please refer to the ACM-8R manual (PN 15342).

Mounting

The ACM-8R module will mount to CHS-4 chassis, a CHS-4L low-profile chassis (assumes one of four positions on the chassis), or CHS-4MB; or for remote applications, to an ABS-8RB Annunciator Surface-mount backbox with blank faceplate.

Limits

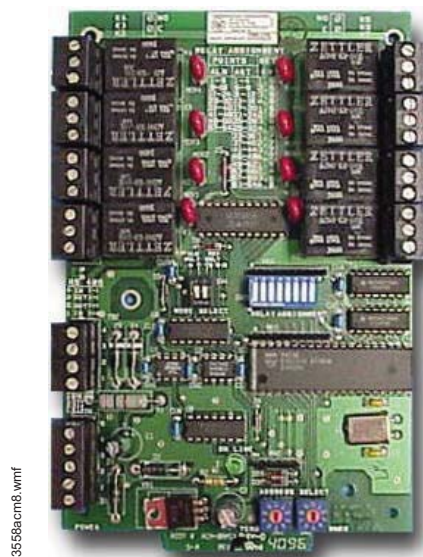
The ACM-8R is a member of the Notifier ACS class of annunciators. Up to 32 annunciators (not including expander modules) may be installed on an EIA-485 circuit.

Wire Runs

Communication between the control panel and the ACM-8R is accomplished over a two-wire EIA-485 serial interface. This communication, to include the wiring, is supervised by the fire alarm control panel. Power for the annunciators is provided via a separate power loop from the control panel, which is inherently supervised (loss of power also results in a communication failure at the control panel).

Relay Mapping

The ACM-8R's relays can follow the status of initiating and indicating circuits, control relays, and several system control functions.



ACM-8R Relay Module

GROUPED TRACKING

The ACM-8R can track a variety of input, output, panel functions, and addressable devices in a grouped fashion:

- CPU status
- Soft zones
- Special hazard zones.
- Addressable circuits
- Power supply NACs.
- Selectable points (NFS2-640 and NFS-320 only) when tracking "special" annunciator points.

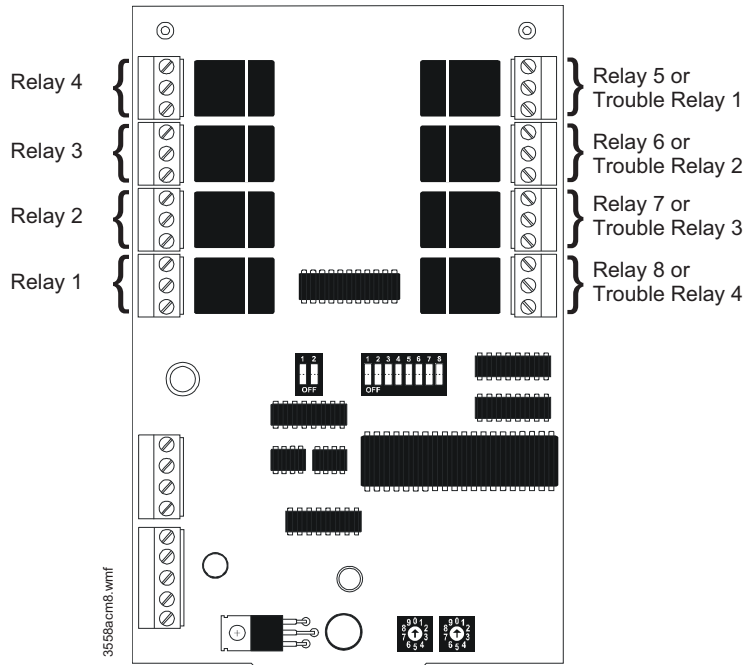
Agency Listings and Approvals

These listings and approvals apply to the modules specified in this document. In some cases, certain modules or applications may not be listed by certain approval agencies, or listing may be in process. Consult factory for latest listing status.

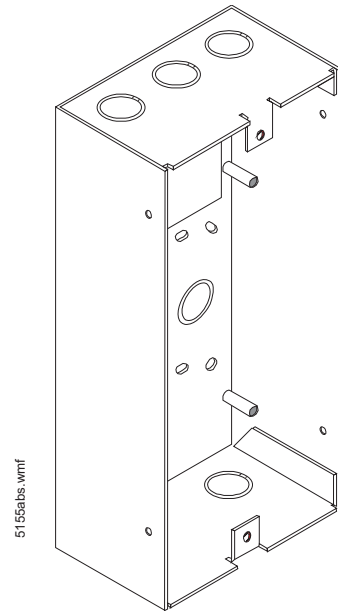
- **UL Listed:** S635.
- **ULC Listed:** CS635 Vol. I.
- **MEA Listed:** 104-93-E Vol. 6; 17-96-E; 291-91-E Vol. 3
- **FM Approved.**
- **CSFM:** 7120-0028:0156.
- **FDNY:** COA #6121, #6114.

Relay Terminal Assignments

The ACM-8R provides eight relays with Form "C" contacts rated for 5 A. The terminal assignments are illustrated below.



NOTE: Circuits can be annunciated as alarm, or alarm and trouble. Alarm and trouble consumes two annunciator points.



ABS-8RB

9.94" (H) x 4.63" (W) x 2.50" (D)
252.5mm (H) x 117.6mm (W) x 63.5mm (D)

Notifier is a registered trademark of Honeywell International Inc.
©2013 by Honeywell International Inc. All rights reserved. Unauthorized use of this document is strictly prohibited.



This document is not intended to be used for installation purposes.
We try to keep our product information up-to-date and accurate.
We cannot cover all specific applications or anticipate all requirements.
All specifications are subject to change without notice.



Made in the U.S. A.

For more information, contact Notifier. Phone: (203) 484-7161, FAX: (203) 484-7118.
www.notifier.com