

# N-ANN-80C

## 80-Character LCD Fire Alarm Indicator


**Annunciators**

### General

The N-ANN-80C indicator is a compact, backlit, 80-character LCD fire indicator that mimics the Fire Alarm Control Panel (FACP) display. It provides system status indicators for AC Power, Alarm, Trouble, Supervisory, and Alarm Silenced conditions. The N-ANN-80C and the FACP communicate over a two-wire serial interface employing the ANN-BUS communication format. Connected devices are powered, via two additional wires, by either the host FACP or a remote ULC-listed, filtered power supply. N-ANN-80C is black.

The N-ANN-80C displays English-language text of system point information including device type, zone, independent point alarm, trouble or supervisory status, as well as any custom alpha labels programmed into the control panel. It includes buttons for local silence, lamp test, and sounder test. A keyswitch prevents unauthorized operation.

Up to eight N-ANN-80Cs may be connected to the ANN-BUS of each FACP. Minimal programming is required, which saves time during system commissioning. The N-ANN-80C is compatible with NOTIFIER FACP's with an ANN-BUS, such as the NFW-50C.

### Features

- ULC listed — meets all Canadian requirements for a fire alarm indicator.
- Backlit 80-character LCD display (20 characters x 4 lines).
- Buttons for local silence, lamp test, and sounder test.
- Keyswitch enables/disables buttons and mechanically locks annunciator enclosure
- Keyswitch can be enabled or disabled at the FACP.
- Enclosure supervised for tamper.
- System status LEDs for AC Power, Alarm, Trouble, Supervisory, and Alarm Silence.
- Local sounder can be enabled or disabled at the FACP.
- N-ANN-80C connects to the ANN-BUS terminal on the FACP and requires minimal panel programming.
- Displays device type identifiers, individual point alarm, trouble, supervisory, zone, and custom alpha labels.
- Time-and date display field.
- Surface mount directly to wall or to single, double, or 4" square electrical box.
- Semi-flush mount to single, double, or 4" square electrical box. Use ANN-SB80KIT for angled view mounting.
- Can be remotely located up to 1,800 m from the panel.
- Backlight turns off during AC loss to conserve battery power but will turn back on if an alarm condition occurs.
- May be powered by 24 VDC from the host FACP or by remote power supply (requires 24 VDC).

### Controls and Indicators

- AC Power
- Alarm
- Trouble
- Supervisory
- Alarm Silenced (ALM Silenced)



N-ANN-80C-cov.jpg

- Local Silence
- Lamp Test
- Sounder Test

### Specifications

- **Operating voltage range:** 18 VDC to 28 VDC.
- **Current consumption @ 24 VDC nominal** (filtered and nonresettable): 40 mA maximum.
- **Ambient temperature:** 0°C to 49°C.
- **Relative humidity:** 93% ± 2% RH (noncondensing) at 32°C ± 2°C.
- 13.65 cm high x 17.46 cm wide x 3.49 cm deep.
- For use indoors in a dry location.
- All connections are power-limited and supervised.

### Agency Listings and Approvals

The listings and approvals below apply to the N-ANN-80C. In some cases, certain modules may not be listed by certain approval agencies, or listing may be in process. Consult factory for latest listing status.

- ULC Listed

### The ANN-BUS

#### POWERING THE DEVICES ON THE ANN-BUS FROM AUXILIARY POWER SUPPLY

The ANN-BUS can be powered by an auxiliary power supply when the maximum number of ANN-BUS devices exceeds the ANN-BUS power requirements. See the FACP manual for more information.

#### ANN-BUS DEVICE ADDRESSING

Each ANN-BUS device requires a unique address (ID Number) in order to communicate with the FACP. A maximum of 8 devices can be connected to the FACP ANN-BUS communication circuit. See the FACP manual for more information.

**WIRE REQUIREMENTS: COMMUNICATIONS CIRCUIT**

The N-ANN-80C connects to the FACP ANN-BUS communications circuit. To determine the type of wire and the maximum wiring distance that can be used with FACP ANN-BUS accessory modules, it is necessary to calculate the total worst case current draw for all modules on a single 4-conductor bus. The total worst case current draw is calculated by adding the individual worst case currents for each module.

**NOTE:** For total worst case current draw on a single ANN-BUS refer to appropriate FACP manual.

After calculating the total worst case current draw, the following table specifies the maximum distance the modules can be located from the FACP on a single wire run. The table ensures

6.0 volts of line drop maximum. In general, the wire length is limited by resistance, but for heavier wire gauges, capacitance is the limiting factor.

These cases are marked in the chart with an asterisk (\*). Maximum length can never be more than 1,800 m, regardless of gauge used. See table below.

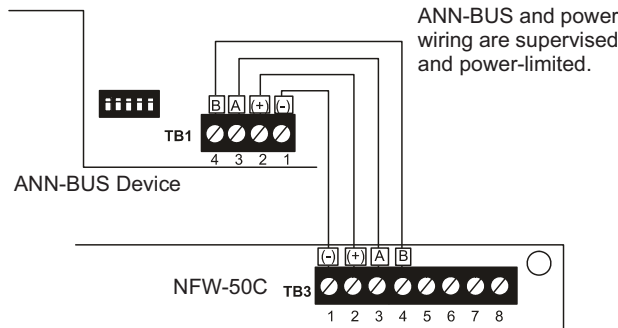
**WIRE REQUIREMENTS: POWER CIRCUIT**

- 14 to 18 AWG (0.75 - 2.08 mm<sup>2</sup>) wire for 24 VDC power circuit is acceptable.
- All connections are power-limited and supervised.
- A maximum of eight N-ANN-80C modules may be connected to this circuit.

Communication Pair Wiring Distance: FACP to Last ANN-BUS Module				
Total Worst Case Current Draw (amps)	22 Gauge	18 Gauge	16 Gauge	14 Gauge
0.100	564.5 m	1528.9 m	* 1,800 m	* 1,800 m
0.200	282.3 m	714.5 m	1137.2 m	1800 m
0.300	188.1 m	476.4 m	758.3 m	1200 m.
0.400	141.1 m	357.2 m	568.8 m	900.1 m
0.500	112.8 m	285.9 m	455.1 m	719.9 m
0.600	94.2 m	238.0 m	379.2 m	600.2 m
0.700	80.8 m	204.2 m	324.9 m	514.2 m
0.800	70.4 m	178.6 m	284.4 m	449.9 m
0.900	62.8 m	158.8 m	252.7 m	399.9 m
1.000 (max.)	56.4 m	143.0 m	227.4 m	360.0 m

**WIRING CONFIGURATION**

The following figure illustrates the wiring between the FACP and ANN-BUS devices.



**FACP Wiring to ANN-BUS Device**

**ORDERING OPTIONS:**

**N-ANN-80C:** Black 80 character LCD fire alarm indicator.

**ANN-SB80KIT-B:** Black surface mount backbox with angled wedge.

**ANN-SB80KIT-W:** White surface mount backbox with angled wedge.

NOTIFIER® is a registered trademark of Honeywell International Inc. ©2011 by Honeywell International Inc. All rights reserved. Unauthorized use of this document is strictly prohibited.



This document is not intended to be used for installation purposes. We try to keep our product information up-to-date and accurate. We cannot cover all specific applications or anticipate all requirements. All specifications are subject to change without notice.

For more information, contact Notifier.  
 (888) 289-1114  
 10 Whitmore Road  
 Woodbridge, Ontario L4L 7Z4  
 www.notifier.com

