

Indoor Selectable-Output Strobes and Horn Strobes for Ceiling Applications



Audio/Visual Devices

General

System Sensor L-Series audible visible notification products are rich with features guaranteed to cut installation times and maximize profits with lower current draw and modern aesthetics.

The System Sensor L-Series offers the most versatile and easy-to-use line of horns, strobes, and horn strobes in the industry with lower current draws and modern aesthetics. With white and red plastic housings, wall and ceiling mounting options, System Sensor L-Series can meet virtually any application requirement.

The entire L-Series product line of ceiling-mount strobes and horn strobes include a variety of features that increase their application versatility while simplifying installation. All devices feature a plug-in design with minimal intrusion into the back box, making installations fast and foolproof while virtually eliminating costly and time-consuming ground faults.

To further simplify installation, the L-Series utilizes a universal mounting plate so installers can mount them to a wide array of back boxes. With an onboard shorting spring, installers can test wiring continuity before the device is installed.

Installers can also easily adapt devices to suit a wide range of application requirements using field-selectable candela settings, automatic selection of 12- or 24-volt operation, and a rotary switch for horn tones with two volume selections.

Features

- Plug-in design with minimal intrusion into the back box
- Tamper-resistant construction
- Automatic selection of 12- or 24-volt operation at 15 and 30 candela
- Field-selectable candela settings on ceiling units: 15, 30, 75, 95, 115, 150, and 177
- Horn rated at 88+ dBA at 16 volts
- Rotary switch for horn tone and two volume selections
- Universal mounting plate for ceiling units
- Mounting plate shorting spring feature checks wiring continuity before device installation
- Electrically compatible with legacy SpectrAlert and SpectrAlert Advance devices
- Compatible with MDL3 sync module
- Listed for ceiling mounting only



SCRL

PC2WL

Architect/Engineer Specifications

GENERAL

L-Series ceiling-mount strobes and horn strobes shall mount to a standard 4 × 4 × 1½-inch back box, 4-inch octagon back box, or double-gang back box. Two-wire products shall also mount to a single-gang 2 × 4 × 1⅞ inch back box. A universal mounting plate shall be used for mounting ceiling and wall products. The notification appliance circuit wiring shall terminate at the universal mounting plate. Also, L-Series products, when used with the Sync•Circuit™ Module accessory, shall be powered from a non-coded notification appliance circuit output and shall operate on a nominal 12 or 24 volts. When used with the Sync•Circuit Module, 12-volt-rated notification appliance circuit outputs shall operate between 8.5 and 17.5 volts; 24-volt-rated notification appliance circuit outputs shall operate between 16.5 and 33 volts. Indoor L-Series products shall operate between 32 and 120 degrees Fahrenheit from a regulated DC or full-wave rectified unfiltered power supply. Ceiling strobes and horn strobes shall have field-selectable candela settings including 15, 30, 75, 95, 115, 150, and 177.

STROBE

The strobe shall be a System Sensor L-Series Model _____ listed to UL 1971 and shall be approved for fire protective service. The strobe shall be wired as a primary-signaling notification appliance and comply with the Americans with Disabilities Act requirements for visible signaling appliances, flashing at 1 Hz over the strobe's entire operating voltage range. The strobe light shall consist of a xenon flash tube and associated lens/reflector system.

HORN STROBE COMBINATION

The horn strobe shall be a System Sensor L-Series Model _____ listed to UL 1971 and UL 464 and shall be approved for fire protective service. The horn strobe shall be wired as a primary-signaling notification appliance and comply with the Americans with Disabilities Act requirements for visible signaling appliances, flashing at 1 Hz over the strobe's entire operating voltage range. The strobe light shall consist of a xenon flash tube and associated lens/reflector system. The horn shall have two audibility options and an option to switch between a temporal three pattern and a non-temporal (continuous) pattern. These options are set by a multiple position switch. The horn on horn strobe models shall operate on a coded or non-coded power supply.

SYNCHRONIZATION MODULE

The module shall be a System Sensor Sync•Circuit model MDL3 listed to UL 464 and shall be approved for fire protective service. The module shall synchronize L-Series strobes at 1 Hz and horns at temporal three. Also, while operating the strobes, the module shall silence the horns on horn strobe models over a single pair of wires. The module shall mount to a $4^{11/16} \times 4^{11/16} \times 2^{1/8}$ inch back box. The module shall also control two Style Y (class B) circuits or one Style Z (class A) circuit. The module shall synchronize multiple zones. Daisy chaining two or more synchronization modules together will synchronize all the zones they control. The module shall not operate on a coded power supply.

PHYSICAL/ELECTRICAL SPECIFICATIONS

- **Standard Operating Temperature:** 32°F to 120°F (0°C to 49°C)
- **Humidity Range:** 10 to 93% non-condensing
- **Strobe Flash Rate:** 1 flash per second
- **Nominal Voltage:** Regulated 12VDC or regulated 24DC/FWR¹
- **Operating Voltage Range²:** 8 to 17.5V (12V nominal) or 16 to 33V (24V nominal)
- **Operating Voltage Range with MLD3:** 8.5 to 17.5V (12V nominal) or 16.5 to 33V (24V nominal)
- **Input terminal wire gauge:** 12 to 18 AWG
- **Ceiling-Mount Dimensions (including lens):** 6.8" diameter 2.5" high (173 mm diameter 64 mm high)
- **Ceiling-Mount Surface Mount Back Box Skirt Dimensions (SBBCR, SBBCW):** 6.9" diameter x 3.4" high (175 mm diameter x 86 mm high)

Notes:

1. Full Wave Rectified (FWR) voltage is a non-filtered, time varying power source that is used on some power supply and panel outputs.
2. P, S, PC, and SC products will operate at 12 V nominal only for 15 and 30 cd.

UL Current Draw Data

UL MAX. STROBE CURRENT DRAW (MA RMS)

Candela	8–17.5 Volts	16–33 Volts	
	DC	DC	FWR
15	87	41	60
30	153	63	86
75	N/A	111	142
95	N/A	134	164
115	N/A	158	191
150	N/A	189	228
177	N/A	226	264

*This data represents coding at 3 chimes per second. Actual current draw will vary depending upon coding selected.

UL MAX. CHIME/STROBE CURRENT DRAW (MA RMS), 2-WIRE HORN STROBE

Candela	8 VDC		16 VDC						
	15	30	15	30	75	95	115	150	177
EM Temp Hi	103	167	71	90	143	165	187	217	254
EM Temp Low	96	165	54	71	137	161	185	211	249
EM Cont Hi	106	173	71	90	141	165	187	230	273
EM Cont Low	95	166	54	71	124	161	170	216	258
3.1K Temp Hi	111	164	69	94	147	163	184	229	257
3.1K Temp Low	103	163	54	88	143	155	185	212	252
3.1K Cont Hi	111	172	69	94	144	164	202	229	271
3.1K Cont Low	103	169	54	88	131	155	187	217	259

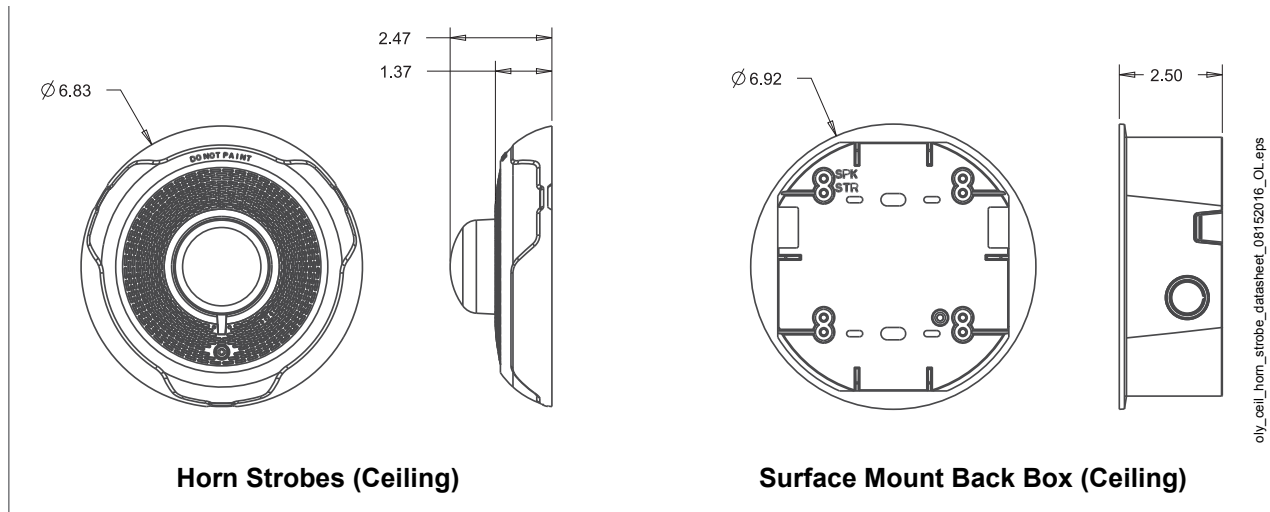
Candela	16VFWR							
	15	30	75	95	115	150	177	
EM Temp Hi	107	135	179	198	223	254	286	
EM Temp Low	78	101	151	172	199	229	262	
EM Cont Hi	107	135	179	198	223	254	286	
EM Cont Low	78	101	151	172	199	229	262	
3.1K Temp Hi	108	135	179	200	225	255	289	
3.1K Temp Low	79	101	150	171	196	229	260	
3.1K Cont Hi	108	135	179	200	225	255	289	
3.1K Cont Low	79	101	150	171	196	229	260	

Horn Strobe Tones and Sound Output Data

HORN AND HORN STROBE OUTPUT (DBA)

Switch Position	Sound Pattern	dB	8-17.5 Volts	16-33 Volts	
			DC	DC	FWR
1	Temporal	High	84	89	89
2	Temporal	Low	75	83	83
3	Non-Temporal	High	85	90	90
4	Non-Temporal	Low	76	84	84
5	3.1 KHz Temporal	High	83	88	88
6	3.1 KHz Temporal	Low	76	82	82
7	3.1 KHz Non-Temporal	High	84	89	89
8	3.1 KHz Non-Temporal	Low	77	83	83

Product Drawings: L-Series Dimensions



oiv_cel_horn_strobe_datasheet_08152016_OL.eps

Agency Listings and Approvals

The listings and approvals below apply to L-series devices. In some cases, certain modules or applications may not be listed by certain approval agencies, or listing may be in process. Consult factory for latest listing status.

- **UL/ULC-Listed**
 - S4011 Ceiling horn strobes
 - S5512 Ceiling strobes
 - S5512 ALERT strobes with clear lenses
- **FM Approved**

Product Line Information

Note: ULC-listed devices include required French labeling. See Agency Listings for listing details.

CEILING HORN STROBES

PC2WL, PC2RL. 2-Wire, Horn Strobe (White, Red).

CEILING STROBES

SCWL, SCRL. Strobe (White, Red).

SCWL-CLR-ALERT. Strobe, ALERT (White).

ACCESSORIES

TR-2W, TR-2. Universal Wall Trim Ring (White, Red).

SBBCWL, SBBCRL. Ceiling Surface Mount Back Box (White, Red).

NOTIFIER® and **SpectrAlert®** are registered trademarks and **Sync•Circuit™** is a trademark of Honeywell International Inc. ©2017 by Honeywell International Inc. All rights reserved. Unauthorized use of this document is strictly prohibited.



This document is not intended to be used for installation purposes.
We try to keep our product information up-to-date and accurate.
We cannot cover all specific applications or anticipate all requirements.
All specifications are subject to change without notice.

For more information, contact Notifier. Phone: (203) 484-7161, FAX: (203) 484-7118.
www.notifier.com