



**Multi-Spectrum UV/Dual IR/VIS
Fire and Flame Detector**

Fire Sentry FS20X Detector



Features

- Patented* WideBand IRT™ Infrared combined with Ultraviolet
- Detection range greater than 200 feet to 1 sq. ft. heptane fire
- Patented* Electronic Frequency Analysis
- Visible Sensor for optimum false alarm rejection
- Selectable detection sensitivities
- Solar blind 90° full 100% cone-of-vision
- Dual Microprocessors for reliable performance
- Real-time clock for accurate time dating of events
- FirePic™ — Up to 6 pre-fire event data storage
- Event log — Up to 200 events with date and time stamp
- Built-in RS-485 ModBus Communication
- Built-in non-isolated 4-20 mA analog output (sink or source)
- Alarm, Fault and Fire Verification relays.
- Automatic Optical Path and Electronic Self-Test
- Widest operating temperature range
- Patented* Electronics Module for components protection with plug-in terminations for easy field installation
- Two ¾" NPT OR 25mm conduit entries
- Low power consumption
- High RFI and EMI immunity
- FM approved

Benefits

- Detects hydrocarbon and non-hydrocarbon fuel fires in all environmental conditions
- Arc welding immunity
- False alarm rejection for all environmental conditions
- Minimal maintenance for trouble-free operation
- PC software and Interface Module (FSIM) for fault diagnostics real-time graphs (RTGs), and downloading of FirePics™ and event log
- Suitable for a wide variety of applications

The Fire Sentry FS20X is the latest generation high technology Multi-Spectrum (UV/Dual IR/VIS) Fire and Flame Detector, which is part of the FSX family of advanced technology Electro-Optical Flame detectors.

Based on the foundation of the highly successful and reliable Fire Sentry SS4 detector, the Fire Sentry FS20X detector represents a quantum leap in integrating Infrared and Ultraviolet sensing technologies. The Fire Sentry FS20X is a Multi-Spectrum and UV/Dual IR/VIS fire and flame detector with a proven UV solar-blind sensor. The Fire Sentry FS20X exhibits faster false-alarm free response to fires over a wider temperature range and with a much longer detection range compared to conventional UV/IR detectors.

Applications

- Refineries and Oil Production Facilities
- Off-Shore Platforms
- Turbine/Compressor Enclosures
- Acetylene Processing and Storage
- Oil & Gas Pipelines and Pumping Stations
- LNG/LPG Loading & Unloading Facilities
- Natural Gas and CNG Plants
- Ethanol, Methanol, and IPA Production and Storage
- Crude Oil and Gasoline Storage and Tank Farms
- Aircraft Hangars
- Hydrogen Plants and Storage
- Paint & Solvent Storage
- Chemical Production, Storage, and Loading Facilities
- Power Plants
- Silane Gas Storage



*Fire Sentry Corporation Patents

Fire Sentry FS20X Detector



Conventional and older technology UV/IR detectors, using narrow band 4.3 micron IR sensors, will not respond to smoky fires or if the detector lens is contaminated with oil and other substances since both UV and 4.3 micron signals are attenuated, obscured or absorbed by thick smoke or detector lens contaminations. Also, these old technology UV/IR detectors will not alarm to any fire if they are installed behind ordinary window glass.

The Fire Sentry FS20X detector uses advanced patented algorithms for signal processing and fire and flame analysis is designed to alarm to all types of fires in all industrial environmental conditions. If the detector's UV signal is degraded due to heavy smoke or a contaminated lens, the Fire Sentry FS20X's patented* WideBand IR™, Near Band IR and Visible sensors will still alarm to fire but at a reduced sensitivity and slower response time.

Dual microprocessors provide a high level of fail-safe operation combined with fast and reliable performance. The Master Microprocessor performs high-speed digital sampling and signal processing calculations; while the slave microprocessor handles various sensor data, performs communications, self-diagnostics and provides interface versatility; and additional memory for storing Event Log and FirePic™ data.

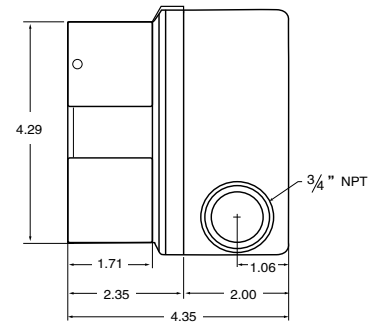
The Fire Sentry FS20X detector has a detection range in excess of 200 feet (very high sensitivity setting) for the detection of a one square-foot Heptane reference fire and has a cone of vision greater in volumetric coverage than most UV/IR detectors. This means fewer detectors can be used as compared to other manufacturers' detectors.



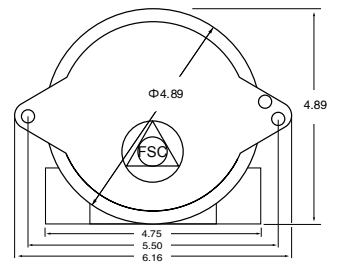
*Fire Sentry Corporation Patents



General Specifications	
Field of View	90° Full 100% Cone of vision, ± 45° from on axis
Sensitivity	Very High, High, Medium and Low -- Switch Selectable
Response Time	3-5 Seconds to 1 sq. ft. n-Heptane fire at 100 ft. 3-10 Seconds to 1 sq. ft. n-Heptane fire at 200 ft.
Spectral Sensitivity	Ultraviolet: 185 - 260 nanometers Visible: 400 - 700 nanometers Near Band IR: 0.7 - 1.1 microns Wide Band IR: 1.1 - 3.5 microns
Operating Voltage	24 VDC nominal (18-32 VDC) - Regulated
Power Consumption	Operating: 83 mA @ 24 VDC nominal
Alarm	133 mA @ 24 VDC nominal
Heater	155 mA - additional Note: Heater will turn on at 0°F (-17°C)
Output Relays	Fire Alarm: SPDT (NO / NC) - De-Energized/Energized, Latching/Non-Latching Fault: SPST (NO) - Normally Energized, Latching/Non-Latching Auxiliary: SPDT (NO / NC) - De-Energized/Energized, Latching/Non-Latching Contacts rating: 1 amp @ 24 VDC
Analog Output	0 - 20 mA stepped - Source or Sink User Selectable
Loop resistance	50 - 400 Ohms
Communication	One of the following - User Selectable: <ul style="list-style-type: none"> • RS-485, ModBus Protocol • RS-485, FireBus II • RS-485 Special (optional) • HART, optional plug-in module
Visual Indications	Blue LED: Power Red LED: Alarm Yellow LED: Fault
Temperature Range	Operating: -40 to +185°F (-40 to +85°C) Storage: -67 to +230°F (-55 to +110°C)
Humidity Range	5 to 98% relative humidity, non-condensing
Vibration	Meets or exceeds MilSpec 810C Method 514.2, Curve AW12
Wiring	14 AWG (2.5mm ²) to 22 AWG (0.326mm ²); Shielded Cable Recommended
Conduit Entries	Standard: Two 3/4" NPT or two M25
Enclosure Materials	Copper-Free Powder Coated Aluminum or 316 Stainless Steel
Enclosure Type	NEMA 4 & 4X, IP66
Certifications	FM: Class I, Div. 1 & 2, Groups B, C, & D; Class II, Div. 1 & 2, Groups E, F, & G; Class III ATEX: II 2 G D; Ex d IIC T4 (Ta: -40 to +110°C), T5 (Ta: -40 to +75°C), T6 (Ta: -60 to +60°C) CE: Complies with EN6000-6-4 & EN50130-4
Shipping Weight	Aluminum: 3.6 lbs (1.6 kg) Stainless Steel: 7 lbs (3.2 kg)
Mounting	Swivel Bracket Assembly - Optional
Warranty	Three years from date of shipping



(A)



(B)

General Dimensions
Side and Back Views
(All Dimensions in Inches)

Customer business centre

Korea: +82-2-69090300

Singapore: +65-65803776

Australia: +61-3-94642770

Taiwan: +886-3-5169284

China: +86-21-28943293

Technical Services

AP: ha.ap.service@honeywell.com

EMEA: ha.emea.service@honeywell.com

US: ha.us.service@honeywell.com

www.honeywell.com

Honeywell

Please Note:

While every effort has been made to ensure accuracy in this publication, no responsibility can be accepted for errors or omissions. Data may change, as well as legislation, and you are strongly advised to obtain copies of the most recently issued regulations, standards, and guidelines. This publication is not intended to form the basis of a contract.

SS01144_v2 09/12

© 2012 Honeywell Analytics