

# CAB-5 Series Cabinets Backboxes with Locking Doors

## General

All CAB-5 cabinets for fire alarm control panels are fabricated from 16-gauge steel. The cabinet assembly consists of two basic parts: a backbox and a locking door. Cabinets are available in black, with or without windows. The window model provides a tasteful combination to accent the decor of the finest lobby setting.

- The **key-locked door** is provided with a pin-type hinge for easy door removal during installation, two keys, and the necessary hardware to mount the door to the backbox.
- The **backbox** has been engineered to provide ease-of-entry for the installer. **Knockouts** are positioned at numerous points to aid the installer in bringing a conduit into the enclosure with a minimum of hardship.
- **Right- or left-hand hinges**, selectable in the field. Door opens 120°.
- Cabinets are arranged in **five standard sizes**, A (one tier) through E (five tiers). See *Ordering Information*.
- **Red cladding kits** available for ease of customization when red cabinets are required.
- Cabinet provides space for two batteries (up to 26 Amp Hour).

## Ordering Information

A complete cabinet assembly consists of: a door, dress panels, a backbox, an optional battery plate, and an optional cladding kit (red color). For each cabinet required, order one "DR" door, one "SBB" backbox and dress panels. The BP-5 battery plate is required for each cabinet assembly that mounts batteries and/or a power supply in the lower position of the cabinet.

### ONE TIER, "A" SIZE

**DR-A5:** Door assembly, window, one tier, BLACK, 15 lbs.

**DR-A5B:** Door assembly, solid door, one tier, BLACK, 18.5 lbs.

**SBB-A5:** Backbox assembly, one tier, BLACK, 22.5 lbs.

**DTR-A5:** Cladding kit (RED) for use with "A" size door

### TWO TIERS, "B" SIZE

**DR-B5:** Door assembly, window, two tiers, BLACK, 21 lbs.

**DR-B5B:** Door assembly, solid door, two tiers, BLACK, 25.5 lbs.

**SBB-B5:** Backbox assembly, two tiers, BLACK, 29 lbs.

**DTR-B5:** Cladding kit (RED) for use with "B" size door

### THREE TIERS, "C" SIZE

**DR-C5:** Door assembly, window, three tiers, BLACK, 24 lbs.

**DR-C5B:** Door assembly, solid door, three tiers, BLACK, 31 lbs.

**SBB-C5:** Backbox assembly, three tiers, BLACK, 36 lbs.

**DTR-C5:** Cladding kit (RED) for use with "C" size door

### FOUR TIERS, "D" SIZE

**DR-D5:** Door assembly, window, four tiers, BLACK

**DR-D5B:** Door assembly, solid door, four tiers, BLACK

**SBB-D5:** Backbox assembly, four tiers, BLACK

**DTR-D5:** Cladding kit (RED) for use with "D" size door

### FIVE TIERS, "E" SIZE

**DR-E5:** Door assembly, window, five tiers, BLACK

**DR-E5B:** Door assembly, solid door, five tiers, BLACK

**SBB-E5:** Backbox assembly, five tiers, BLACK



**N16 and two ACM-30 Annunciators in "B" sized CAB-5 Cabinet**

**DTR-E5:** Cladding kit (RED) for use with "E" size door

## ACCESSORIES

**DP-T2A:** Dress panel, mounts one 10 inch touchscreen display and two ACM-30 annunciators

**DP-4A:** Annunciator dress panel. Mounts four ACM-30 annunciators

**DP-BLN:** Blank dress panel, covers one CAB-5 tier, BLACK

**BP-5:** Battery plate. Used to cover battery and power supply when lower position is used in backbox

**DPA-C5:** Audio dress panel for C5A-M, has openings for microphone, telephone and keypad

**DPA-2A5:** Audio dress panel for C5A-NW, has opening for keypad and mounts 2 annunciators

**C5A-M:** Audio chassis for mounting DVC and keypad, comes with microphone and well

**C5A-NW:** Audio chassis for mounting DVC and keypad

**ABP-1:** Blank plate for 1 ACM-30

**CHS-CGW:** Chassis for mounting the CGW-MB gateway

**TELH-1:** Firefighter's Telephone Handset for use with the DVC-EM when mounted in the C5A-M chassis

**DP-ADP:** Adapter plate to mount the RLD in an ABS-2D or a CAB4 enclosure, replacing an LCD-160.

**ACM-1DB-RTO:** Adapter plate to mount an ACM-30 in ABF-1DB, replacing ACM-24AT or ACM48A.

**DP-NCD-2D:** Inner Dress Plate to mount the NCD in an ABS-2D, replacing the NCA-2.

**RLD-1DB-RTO:** Adapter Plate to mount the RLD in ABF-1DB, replacing LCD2-80.

**CGW-DACT-CH:** Chassis for mounting HON-DACT-DS board inside CAB4/5 enclosure

- **OSHPD Approved:** OSP-0072

**SEISKIT-CAB:** Seismic mounting kit. Required for seismic-certified applications with CPU-N16LD/LND/RTO and other equipment in CAB-4/5 Series Enclosures. Includes battery bracket for two 26 AH batteries.

## Standards and Codes

These listings and approvals below apply to the CAB5. In some cases, certain modules or applications may not be listed by certain approval agencies, or listing may be in process. Consult factory for latest listing status.

### CAB-4 CONVERSION

**CHS-ADP:** Adapter plate for mounting CAB-4 Series chassis into CAB-5 Series backboxes

- UL 864, 10th edition
- NFPA 72 National Fire Protection Association

**DP-4A-CB4:** Dress panel, mounts 4 ACM-30s in a CAB-4 Enclosure

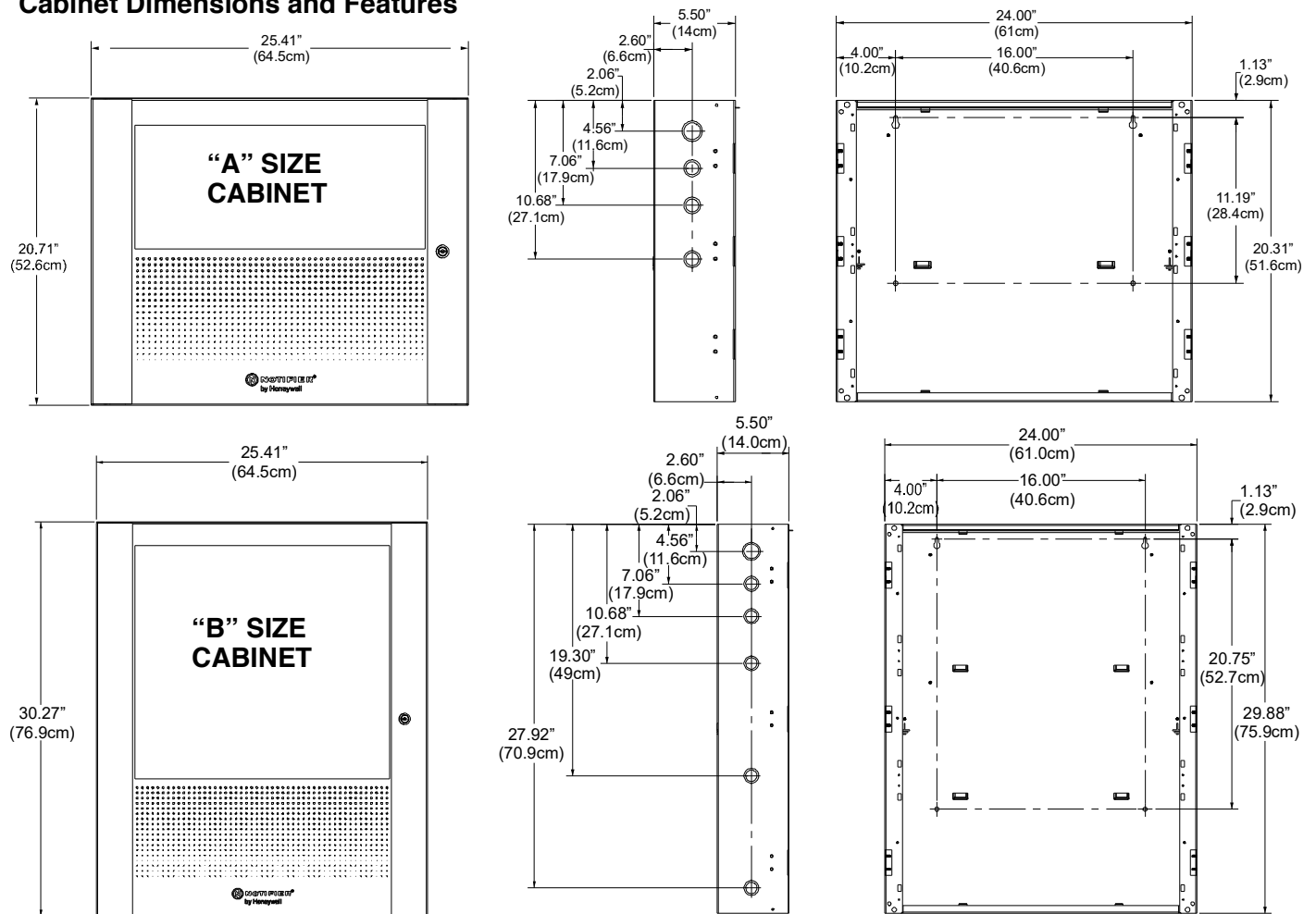
**DP-T2A-CB4:** Dress panel, mounts one 10" touchscreen display and two ACM-30 annunciators in a CAB-4 Enclosure

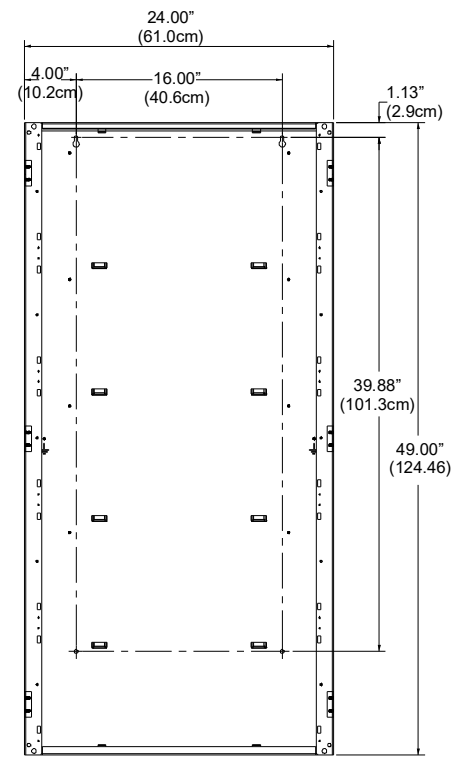
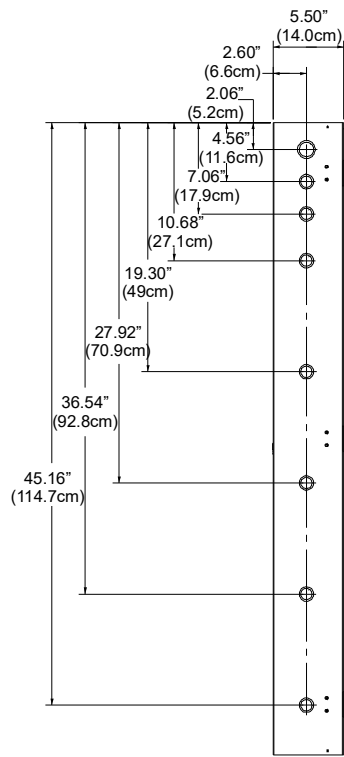
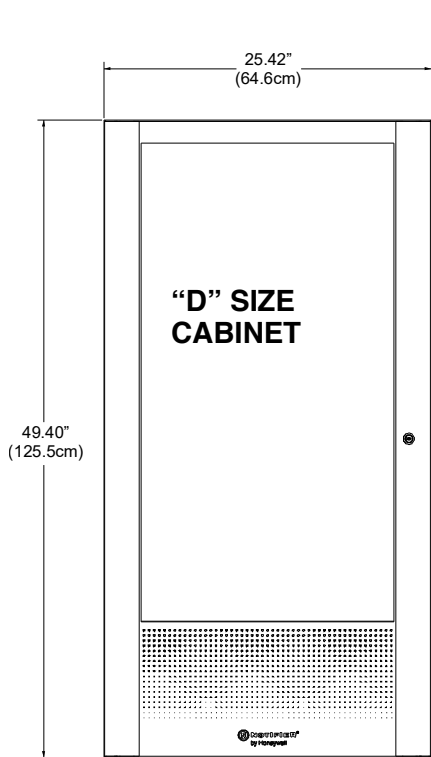
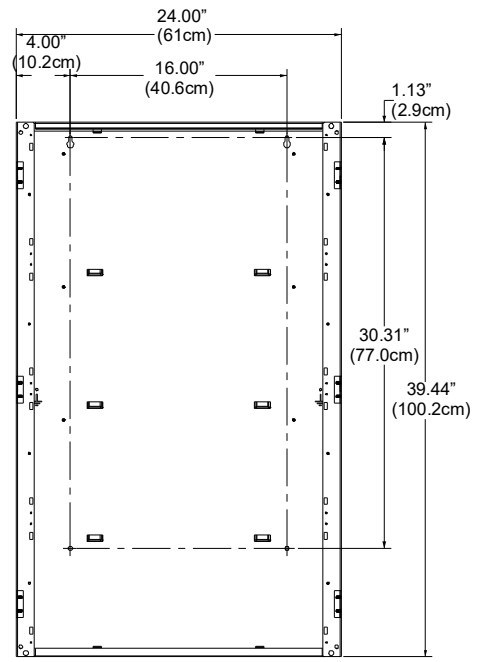
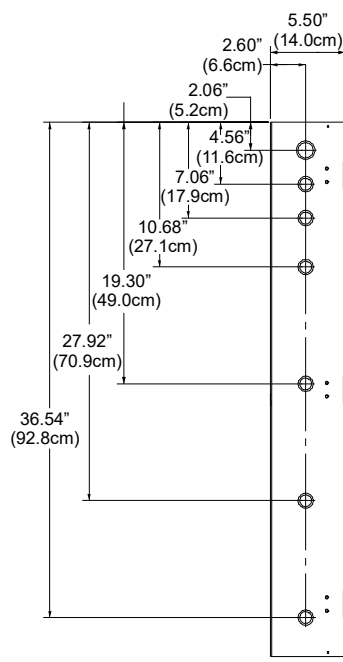
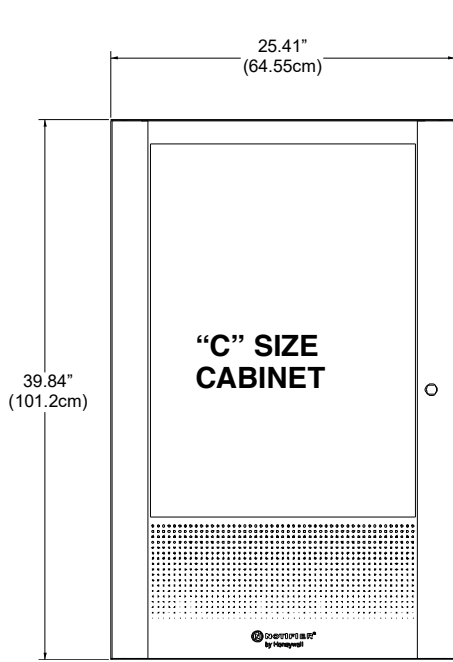
## Agency Listings and Approvals

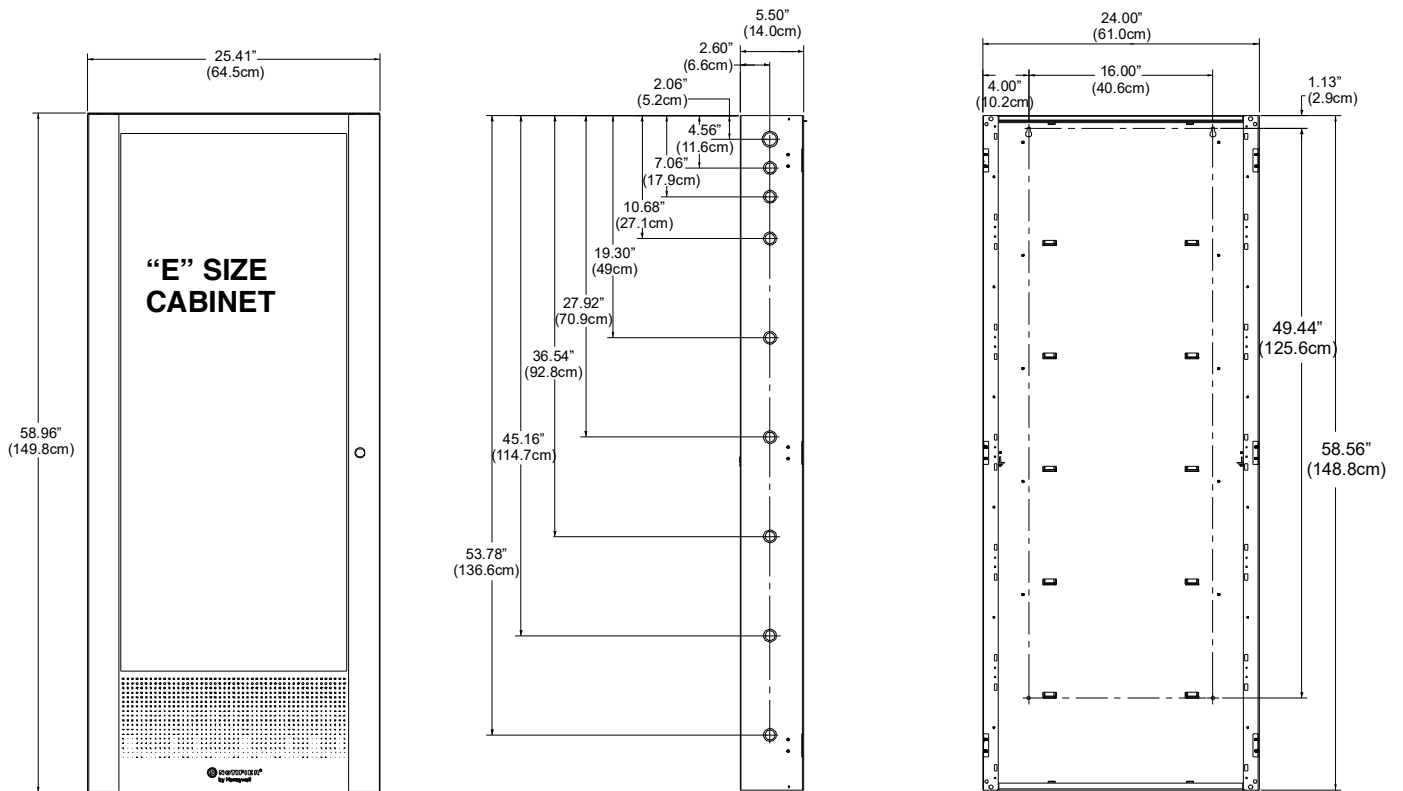
The file number(s) below reference the specific listings for the modules in this document. In some cases, certain modules or applications may not be listed by certain approval agencies, or listing may be in process. Consult NOTIFIER for latest listing status.

- **UL Listed:** S635
- **FM Approved:** FM23FPUS0095
- **CSFM:** 7165-0028:0516
- **FDNY:** COA#001761
- **Certified for Seismic applications in accordance with IBC 2024:** VMA-45894-01C

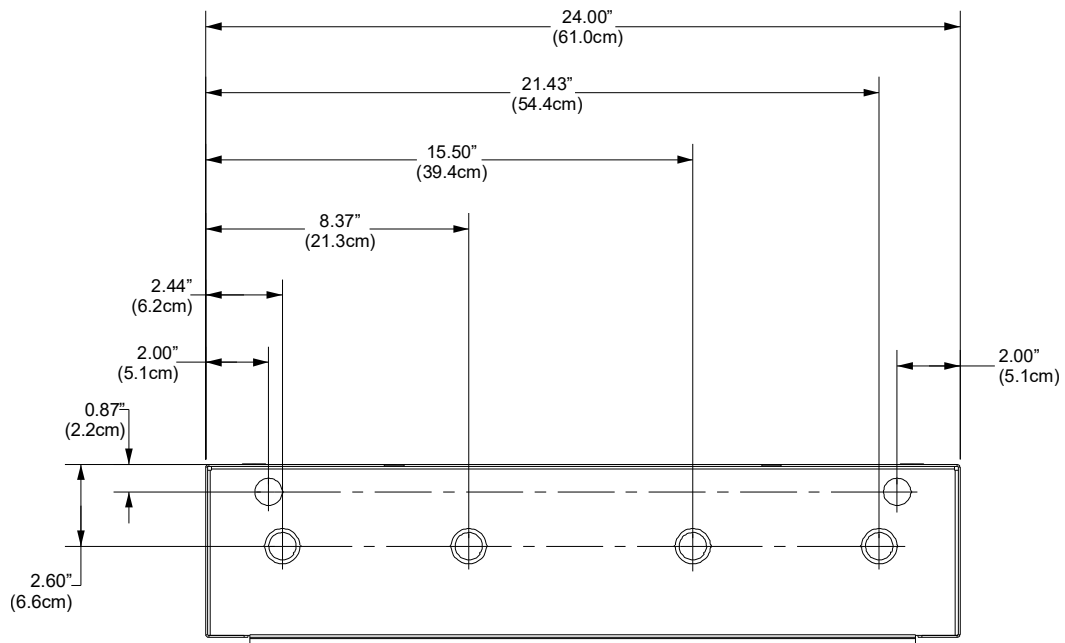
## Cabinet Dimensions and Features



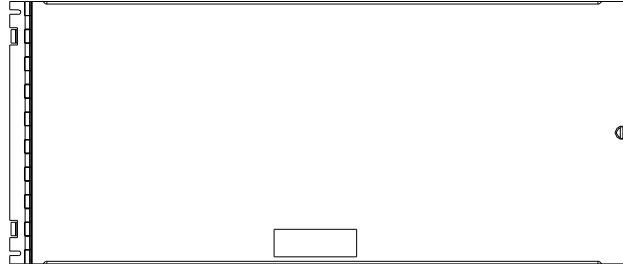




### Knockouts on Top of Cabinets



## BP-5 Battery Plate



***The BP-5 Battery Plate covers the Main Power Supply and the batteries in the cabinet.  
Only one BP-5 is required per cabinet.***

**ISO 9001**  
**CERTIFIED**  
ENGINEERING & MANUFACTURING  
QUALITY SYSTEMS

This document is not intended to be used for installation purposes.  
We try to keep our product information up-to-date and accurate.  
We cannot cover all specific applications or anticipate all requirements.  
All specifications are subject to change without notice.

**NOTIFIER**  
12 Clintonville Road  
Northford, CT 06472  
203.484.7161  
[www.notifier.com](http://www.notifier.com)

NOTIFIER® is a registered trademark of Honeywell International, Inc.  
©2024 by Honeywell International Inc. All rights reserved. Unauthorized  
use of this document is strictly prohibited.  
Country of Origin: USA

 **NOTIFIER**®  
by Honeywell