

8-Inch Dual Voltage Speaker for Fire and General Signaling Systems



Audio/Visual Devices

General

The SPCW8 8" ceiling speaker with listed enclosure provides a solution for ceiling-mount applications, with tap-setting range between 1/8 Watt and 8 Watts. It provides a solution for almost any voice need.

The high dB output reduces the number of speakers required for sound and intelligibility. The SPCW8 is designed for high efficiency sound output with low total harmonic distortion to offer high fidelity sound output.

Its clear audibility is designed to meet life safety needs from fire to emergency communication messages. With its wide frequency range it can also be used for general signaling such as paging and background music. The SPCW8 speaker is listed to ANSI/UL 1480, CAN/ULC S541 and CSA C22.2. No. 205 requirements for public mode and general signaling applications as well as ANSI/UL 2043 plenum rated. Speaker is suitable for indoor and damp installations.

The SPCW8 can be surface mounted with the included back can or flush mounted with optional accessory, SB-SPC8. The SB-SPC8 (sold separately) offers support for ceiling tile installations, and 3/4" knockouts are provided for conduit entry and are compatible with plenum rated cable and plenum whip flex conduit.

Features

- Voltage and speaker tap settings via jumper connection.
- Field selection of speaker voltage (25 and 70.7 Vrms) and power settings (1/8, 1/4, 1/2, 1, 2, 4, and 8 watts).
- For use with separately sold tile support bracket: SB-SPC8.
- Flush and ceiling tile mounting with use of ceiling tile bracket.
- UL and ULC listed.
- Broad temperature range 32°F to 120°F (0°C to 49°C).
- Accepts wire up to 12 AWG.
- Speaker ships with included back can.

Architectural/Engineering Specifications

The SPCW8 8" dual voltage speaker and enclosure shall mount using SB-SPC8 mounting bracket, sold separately. The SPCW8 can be flush mounted with supplied back can or ceiling mounted with back can and SB-SPC8 tile bridge.

The speaker shall be a SPCW8 dual-voltage transformer speaker capable of operating at 25.0 or 70.7 nominal Vrms with field selectable tap settings from 1/8 to 8 Watts. It should be listed to ANSI/UL 1480, CAN/ULC S541 and CSA C22.2 No. 205 requirements for public mode and general signaling applications as well as ANSI/UL 2043 plenum rated. Speaker is suitable for indoor and damp installations. The speaker shall have a frequency range of 400 to 4,000 Hz and shall have an operating temperature between 32°F and 120°F (0°C and 49°C). The speaker shall have power taps and voltage that are selected by jumper connection.



SPCW8 Speaker

Physical Specifications

- **Operating Temperature:** 32°F to 120°F (0°C to 49°C).
- **Humidity Range:** 10 to 93% non-condensing.
- **Dimensions, Ceiling-Mount:**
 - **SPCW8 Speaker with Grill:** Diameter 12.8 in. (325.1 mm). Depth 2.7 in. (68.6 mm).
 - **SPCW8 Speaker with Back Can:** Diameter 12.8 in. (325.1 mm). Depth 4.2 in. (106.7 mm).
 - **SB-SPC8 Tile Support Bracket:** Length 23.75 in. (603.3 mm). Width 4.125 in. (104.8 mm). Diameter Opening 10.75 in. (273.1 mm).

Electrical/Operating Specifications

- **Nominal Voltage (speakers):** 25 Volts or 70.7 Volts (nominal).
- **Maximum Supervisory Voltage (speakers):** 50 VDC.
- **Operating Voltage Range (includes fire alarm panels with built in sync):** 8 to 17.5 V (12 V nominal) or 16 to 33 V (24 V nominal).
- **Frequency Range:** 400 to 4,000 Hz (Fire Alarm), 200Hz - 15KHz (General Signaling).
- **Power:** 1/8, 1/4, 1/2, 1, 2, 4, 8 watts.
- **Input Terminal Wire Gauge:** 12 to 18 AWG.

UL Current Draw Data

SPC-W8 Sound Output

Setting	UL Reverberant (dBA @10 ft)	UL Anechoic (dBA @10 ft)
1/8 W	93	82
1/4 W	78	85
1/2 W	81	87
1 W	84	91
2 W	87	94
4 W	90	97
8 W	93	100

Agency Listings and Approvals

The listings and approvals below apply to L-series devices. In some cases, certain modules or applications may not be listed by certain approval agencies, or listing may be in process. Consult factory for latest listing status.

- UL/ULC Listed: S4048
- FM Listed
- CSFM

Product Line Information

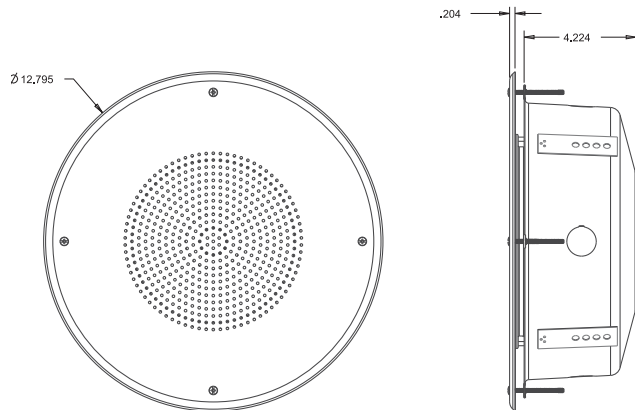
Note: "A" model devices are ULC listed.

SPCW8(A). 8" Dual Voltage Speaker (White).

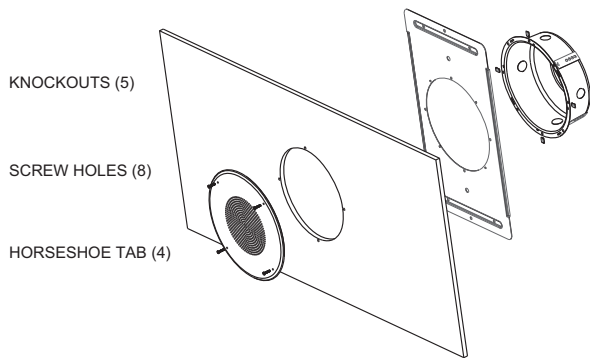
SP-SPC8. Tile Support Bracket (White).

Product Drawings

SPEAKER DIMENSIONS



SURFACE MOUNTING: CEILING-MOUNT SPEAKER WITH BACK CAN AND SB-SPC8 TILE BRIDGE



A0510-00.eps

NOTIFIER® is a registered trademark of Honeywell International Inc.
©2017 by Honeywell International Inc. All rights reserved. Unauthorized use of this document is strictly prohibited.

ISO 9001
CERTIFIED
ENGINEERING & MANUFACTURING
QUALITY SYSTEMS

This document is not intended to be used for installation purposes.
We try to keep our product information up-to-date and accurate.
We cannot cover all specific applications or anticipate all requirements.
All specifications are subject to change without notice.

For more information, contact Notifier. Phone: (203) 484-7161, FAX: (203) 484-7118.
www.notifier.com