

HONEYWELL CONNECTED LIFE SAFETY SERVICES (CLSS)

USING THE CLSS GATEWAY
FOR PORTABLE APPLICATIONS



Honeywell

CONNECTING TO THE PRINTER PORT: WHAT DO I NEED?

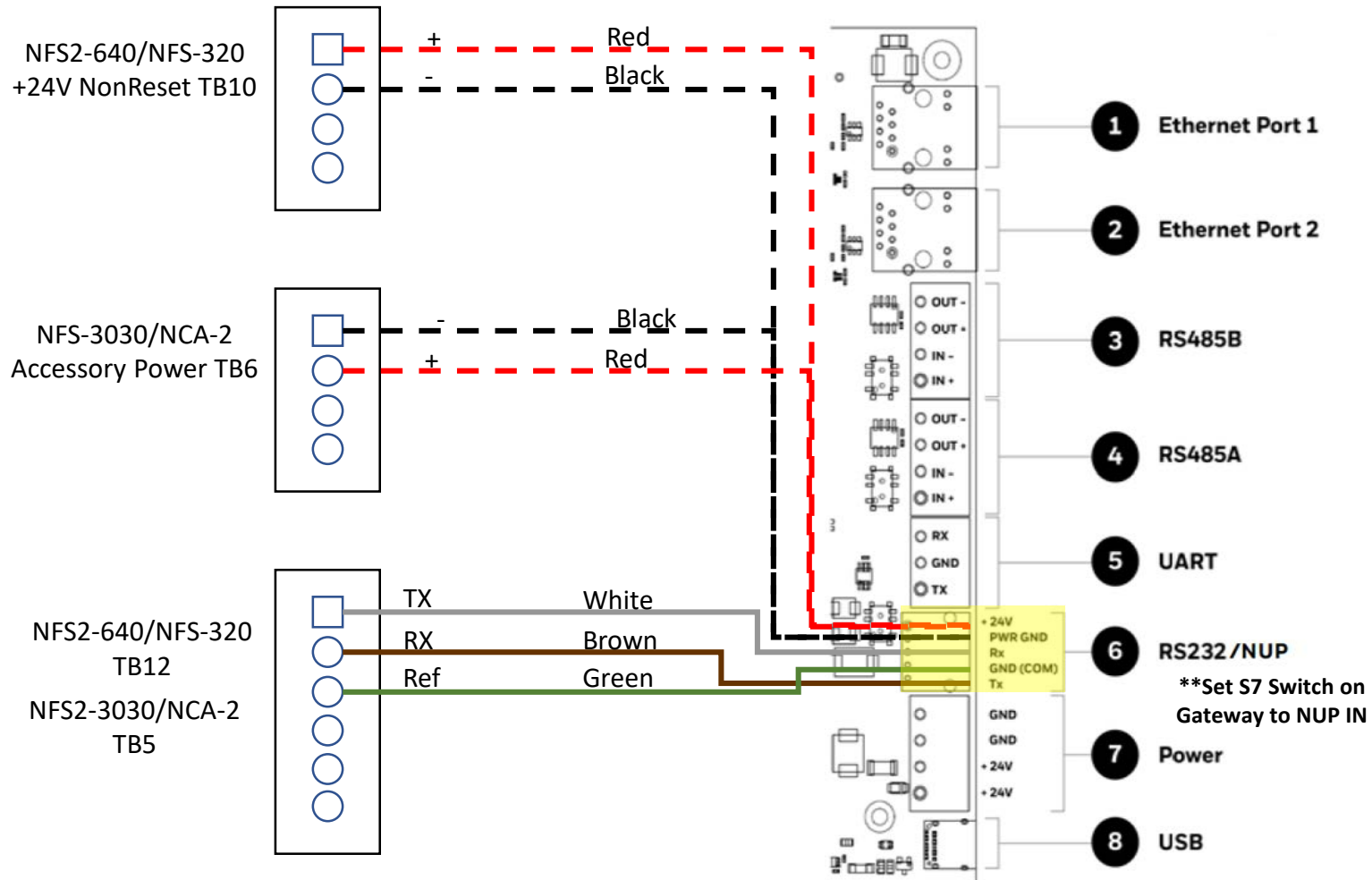
CLSS Gateway – (HON-CGW-MBB)



NUP to Flying lead Cable (included with Gateway)



CONNECTING TO THE PRINTER PORT: WIRING DIAGRAM



CONNECTING TO THE PRINTER PORT: EXAMPLE

Gateway Connection



640/320 Power and Printer Port Connections

