

RLD Remote Display

General

The RLD is a mimic annunciator for the NOTIFIER INSPIRE™ Series fire alarm control panels (FACP) or NCD (Network Control Display). This provides the FACP or NCD with remote, serially-connected display. A five inch touchscreen display provides system status, point information, and event counters. The display shows two events simultaneously, and pages through up to 50 of the highest priority events in the system. The RLD also provides system control with six programmable softtouch buttons as well as Acknowledge, Silence, Reset and Drill.

The N16 FACP supports a maximum of 5 RLDs, configured as a router. These take up one of the 10 available router addresses. The “router” annunciators may be a mix of ACM-30 and RLD units. Each RLD will occupy one “router” address. The RLD does not support peripheral annunciators.

Features

- Five inch high-definition touchscreen display
- Programmer key switch for user authentication, providing the ability to enable the control inputs for acknowledge, silence, reset, and drill.
- Configurable control buttons that are operational only when key-switch is unlocked
 - Acknowledge
 - Silence
 - Reset
 - Drill
- Six programmable buttons, each with a descriptor/label, status indicator and configurable action (on/off, disable.enable)
- Supervision of remote power supply
- Field programmable using VeriFire[®] Tools and interactive touchscreen controls
- USB C Connection

Panel Compatibility

- N16 Series
- NCD

Network Options

- AIO power-limited, two-wire serial communication with N16 or NCD control panels



RLD Remote Display

Installation

The RLD mounts in a standard 3 gang electrical box. External connections are the AIO serial communications, 24 VDC power input, and earth ground.

Communication between the RLD and control panels occurs over a power-limited 2-wire AIO serial interface. This communication is supervised by the fire alarm control panel. Each RLD also requires a power-limited 24 VDC power connection. Loss of power to the RLD registers as a communication failure at the control panel. The RLD can also be powered from a power-limited and regulated remote power supply listed for fire-protective signaling use.

SPECIFICATIONS

ELECTRICAL SPECIFICATIONS

Primary Input Power:

24 VDC, 200 mA

SHIPPING WEIGHT

- 2 lbs (0.91 kg)

DIMENSIONS

- 7 in. (17.8 cm) W
- 5.75 in. (14.6 cm) H
- 1 in. (2.54 cm) D

TEMPERATURE AND HUMIDITY RANGES

This system meets NFPA requirements for operation at 0 – 49°C/32 – 120°F and at a relative humidity 93% ± 2% RH (noncondensing) at 32°C ± 2°C (90°F ± 3°F). However, the useful life of the system's standby batteries and the electronic components may be adversely affected by extreme temperature ranges and humidity. Therefore, it is recommended that this system and its peripherals be installed in an environment with a normal room temperature of 15 – 27°C/60 – 80°F.

AGENCY LISTINGS AND APPROVALS

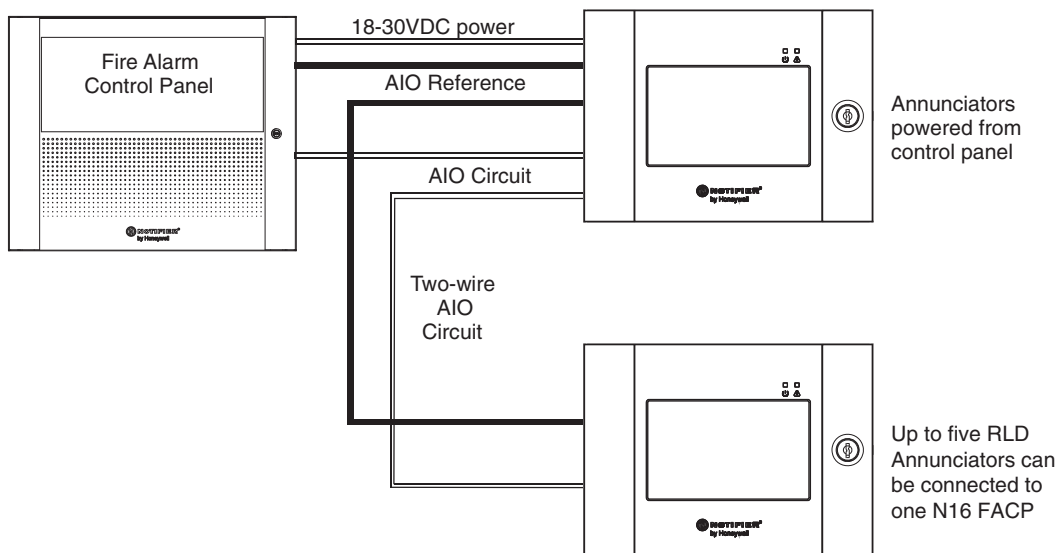
The file number(s) below reference the specific listings for the modules in this document. In some cases, certain modules or applications may not be listed by certain approval agencies, or listing may be in process. Consult NOTIFIER for latest listing status.

- **UL Listed:** S635
- **FM Approved**
- **CSFM:** 7165-0028:0516
- **FDNY**

STANDARDS

These listings and approvals below apply to the RLD. In some cases, certain modules or applications may not be listed by certain approval agencies, or listing may be in process. Consult factory for latest listing status.

- UL 864, 10th edition
- NFPA 72 National Fire Protection Association



Typical Configuration



This document is not intended to be used for installation purposes.
We try to keep our product information up-to-date and accurate.
We cannot cover all specific applications or anticipate all requirements.
All specifications are subject to change without notice.

NOTIFIER INSPIRE™ is a trademark of, and NOTIFIER® is a registered trademark of Honeywell International Inc.

©2021 by Honeywell International Inc. All rights reserved. Unauthorized use of this document is strictly prohibited.

Country of Origin: USA

NOTIFIER

12 Clintonville Road
Northford, CT 06472
203.484.7161
www.notifier.com

