

CLSS HORIZON - LAN-CONNECTED APPLICATION GUIDE

Connected Life Safety Services (CLSS) LAN-Connected Horizon is a PC-based application for fire system monitoring via Ethernet on a Local Area Network. The intuitive, graphical display allows personnel to rapidly pinpoint, investigate, and respond to alarm events. Paired with the CLSS Gateway communicator, CLSS Horizon can be used to monitor a single building or an entire campus and can easily meet the needs of expanding systems.

CLSS Horizon users can access other CLSS platform features including mobile app alerts, digital test and inspection tools, remote diagnostics, and central station alerting.

APPLICATION NOTES

For installations on NOTIFIER-only systems with NOTI-FIRE-NET™ - a CLSS Gateway is installed on the NOTI-FIRE-NET.

For installations on NOTIFIER-only systems with standalone fire panels - a CLSS gateway is installed in each NOTIFIER fire panel.

Key verticals: Healthcare, Education, Commercial/Mixed-Use, Manufacturing, Hospitality

SYSTEM REQUIREMENTS

Ethernet Network

CLSS Gateway: The following ports must be available for the CLSS Gateway

PORT	TYPE	DIRECTION	PURPOSE
53	UDP and TCP	OUT	DNS Resolution
80	TCP	IN	Web Based Configuration
123	UDP	OUT	SNTP
443	TCP	IN/OUT	HTTPS Communications
2017	TCP	IN	Connection from workstation (events and commands)
4016	TCP	IN	Upgrades

RESTRICTIONS

Each CLSS Gateway must have a static IP address

The following are not supported:

- DHCP
- Web access through an HTTP proxy server
- Use of a NAT (Network Address Translation)

LAN-CONNECTED HORIZON WORKSTATION

The following ports must be available to the workstation:

PORT	TYPE	DIRECTION	PURPOSE
25	TCP	OUT	SMTP
123	UDP	IN AND OUT	SNTP
1884	TCP	IN AND OUT	MQTT
2004	TCP	N/A	(Internal) Workstation plug-in access
2017	TCP	OUT	Connection to the CLSS Gateway
4016	TCP	IN	Database import/export

EQUIPMENT

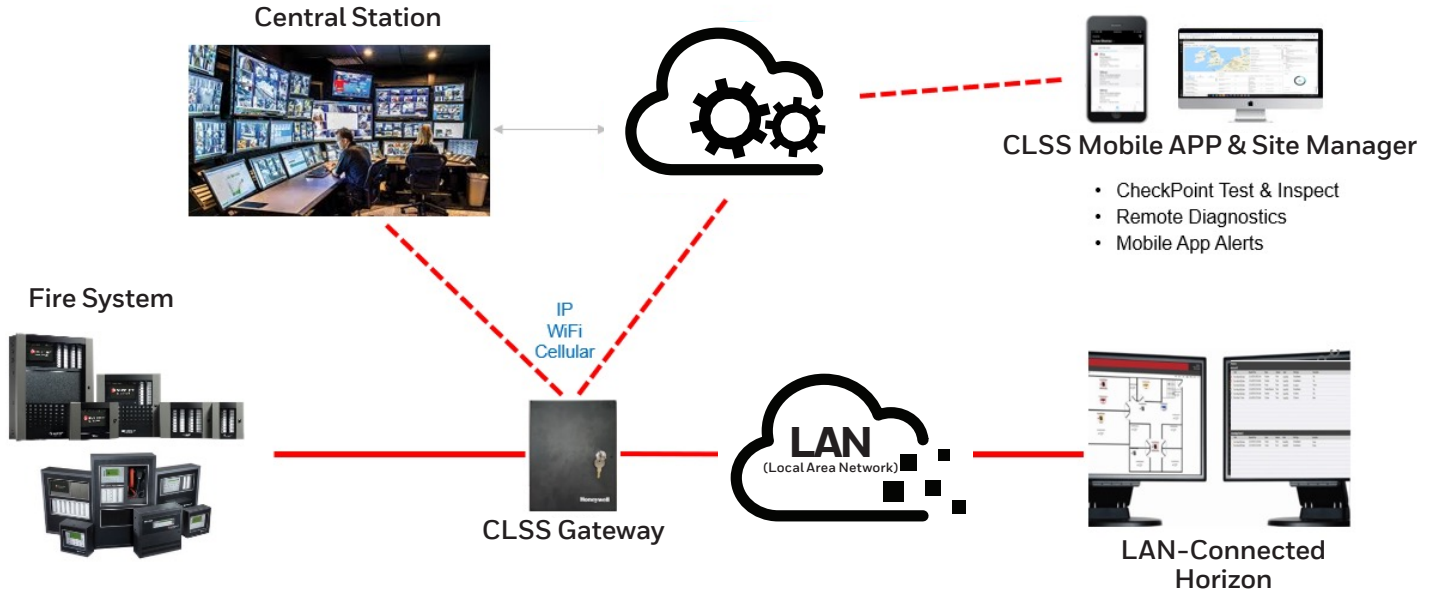
REQUIRED

PART NUMBER	DESCRIPTION	DATA SHEET	MANUAL
HON-CGW-MBB	CLSS Gateway	HON-62034	LS10248-000HW-E
50160636-001	CLSS Gateway Kit: 30" NUP Cable + Lock & Key set	HON-62034	LS10248-000HW-E
LAN-Connected Horizon - One Time Activation	Gateway Feature License (per gateway)		LS10315-000HW-E
LAN-Connected Horizon - 5-year Subscription	Horizon Software Subscription	HON-62125	LS10315-000HW-E
	Standalone INSPIRE or ONYX Series Panels or NOTI-FIRE-NET™ Network (5.0 or higher)	DN-6971	51584

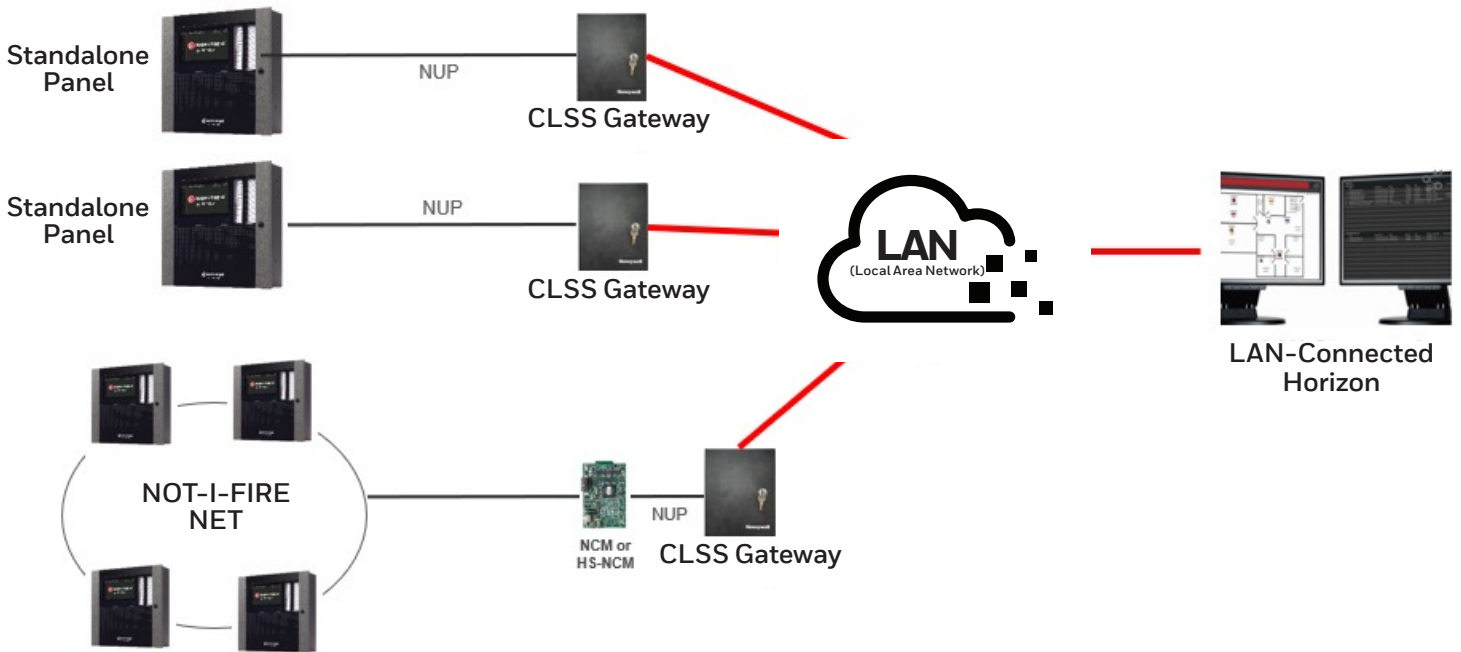
OPTIONAL

PART NUMBER	DESCRIPTION	DATA SHEET	MANUAL
CCM-ATT-HON	CLSS Gateway Cellular Module (AT&T) for CLSS Mobile applications (Internet Required)	HON-62034	LS10248-000HW-E
CCM-VZ-HON	CLSS Gateway Cellular Module (Verizon) for CLSS Mobile applications (Internet Required)	HON-62034	LS10248-000HW-E
32351718-001	10' NUP Cable for CLSS Gateway	HON-62034	LS10248-000HW-E
Enhanced Monitoring	Subscription. Live Fire System Status vis CLSS Mobile App & Web browser		
CheckPoint Premium	Subscription. CLSS Mobile ITM Tool		
NCM-W/F	Standard speed network cards for network applications	DN-6861	51533
	NOTI-FIRE-NET network (5.0 or higher)	DN-6971	51584
HS NCM-xxx	High speed network cards for high speed network applications	DN-60454	54014
	High speed NOTI-FIRE-NET	DN-60455	54013

ARCHITECTURE



CAMPUS APPLICATION



To learn more about CLSS Horizon,
visit hwll.co/CLSS